



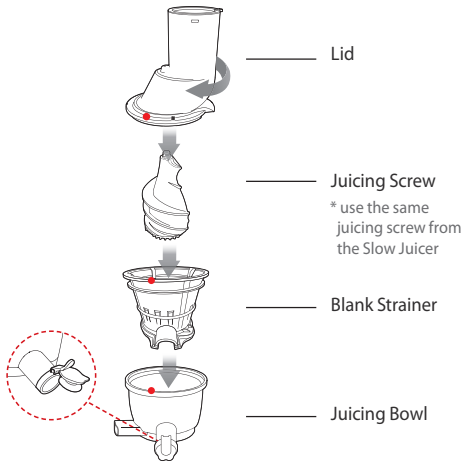
Blank Strainer

Using the blank strainer, you'll be able to make frozen desserts

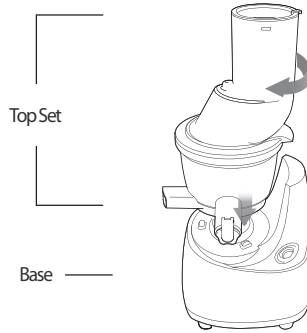
EN

HOW TO USE THE BLANK STRAINER

! • Before use, make sure the silicone cover is correctly in place. • Disassemble is opposite of Assemble.



Place the assembled top set onto the base.



※ When using the blank strainer, always leave the **Smart Cap** open.

! CAUTION

The blank strainer is used only with frozen ingredients. Depending on the different ingredients, allow the frozen items to thaw for 5 to 20 minutes before use. Slowly process a smaller amount per batch.

- ※ Do not use ice or process ingredients containing vegetable or animal oil. It may cause a malfunction.
- ※ Remove hard seeds from the ingredients and peel the skins from the ingredients before juicing.



HOW TO CLEAN THE SILICONE COVER



The silicone cover is removable for cleaning. After cleaning, place the silicone cover on as shown in the picture.

TIP | Carefully place the silicone cover by aligning grooves and wedges.